

CANDY PROCESS EQUIPMENT

ROTARY FORMING DIES

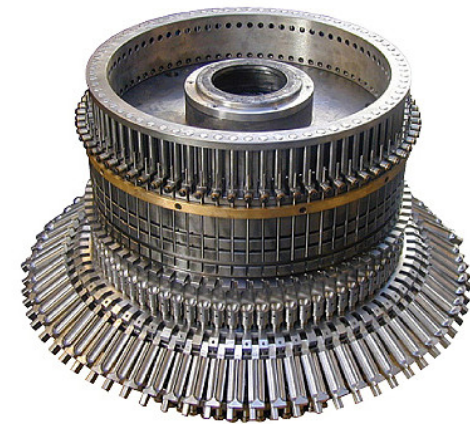
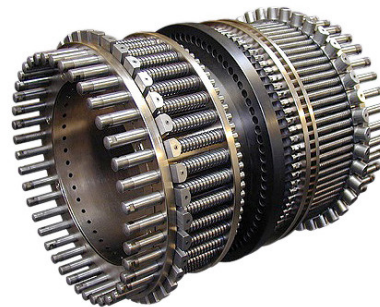
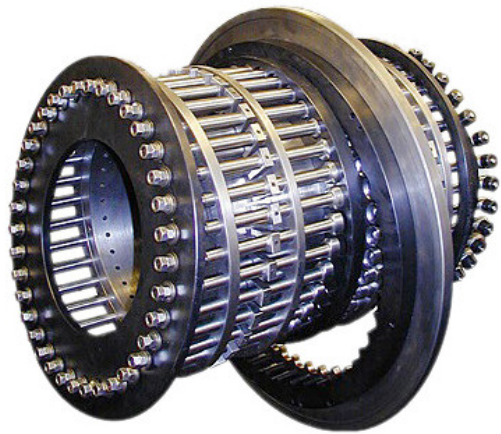
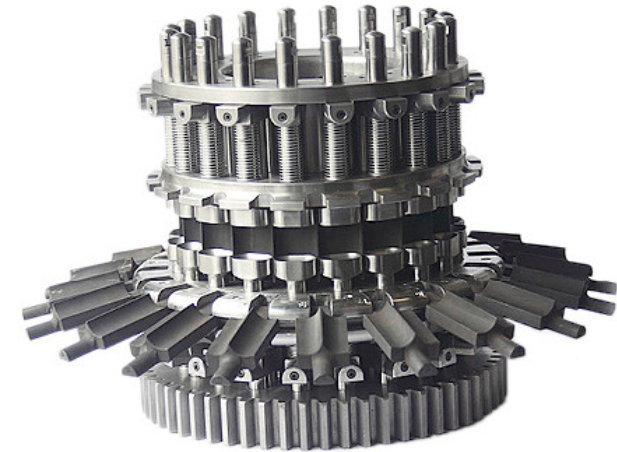
ROTARY FORMING DIES RANGING FROM UNIPLAST DIES, T DIES, ROSTOPLAST AND LOLLIPOP DIES.

We supply a range of rotary forming dies which are suitable for use in a range of different machines.

All dies are designed and built in the UK, using the highest quality materials, cutting tools and tool room technology.

We can supply all types of quality candy forming dies for Uniplast all models, Super Rostplast, Junior

Rostoplast, Robust & Super Robust, Strada, Plas-wrap. Drop Roller Dies, Dies for Lollipop machines, Aquarius, Carugil, Latini, Etc.



MINI FORMING MACHINE

SPECIFICATIONS

Overall Height
180mm

Overall Length
256mm

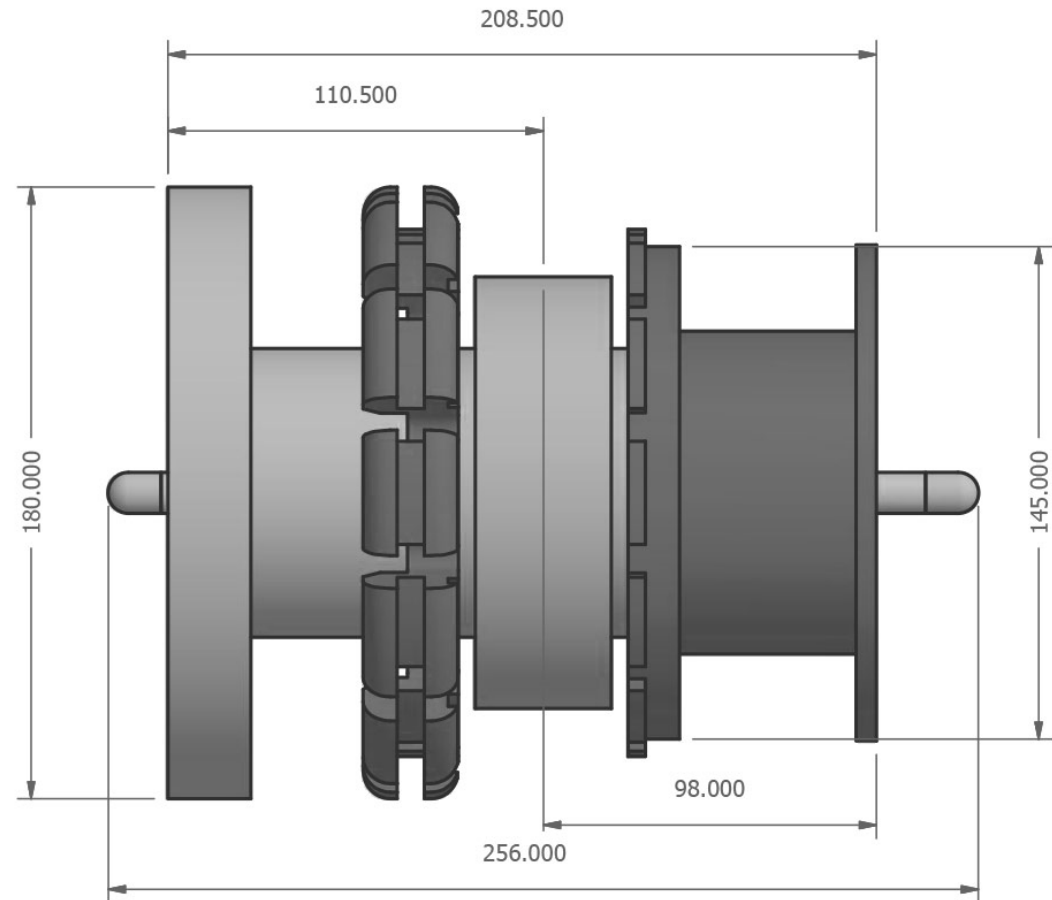
Overall Width
180mm

Material
Cast Iron and Steel

Output
Dependant on machinery used

Weight
25Kg

Uses (dependant on product consistency)
Hard Candy



Measurements are in millimetres