

# BAGGING EQUIPMENT

## OUTPUT CONVEYER

### FOR CONVEYING PRODUCT

This conveyor receives product from the bagging machine and takes it to the next stage in your process, for example check weighing and metal detection.

The conveyor can be built to the height you require. The belts are made from full PVC for easy cleaning.

Can be used as a standalone conveyor or used in conjunction with a bagging machine.



### FEATURES

- Used as belt transportation, alone or to accompany a packing machine
- Designed according to data or site inspection to meet customer specifications
- Stainless steel and carbon steel structure
- PVC belt
- Stainless steel chain
- PVC chain for transportation

# OUTPUT CONVEYER

## SPECIFICATIONS

**Material**

Stainless Steel / PVC

**Length**

made to your requirements

**Height**

made to your requirements

**Width**

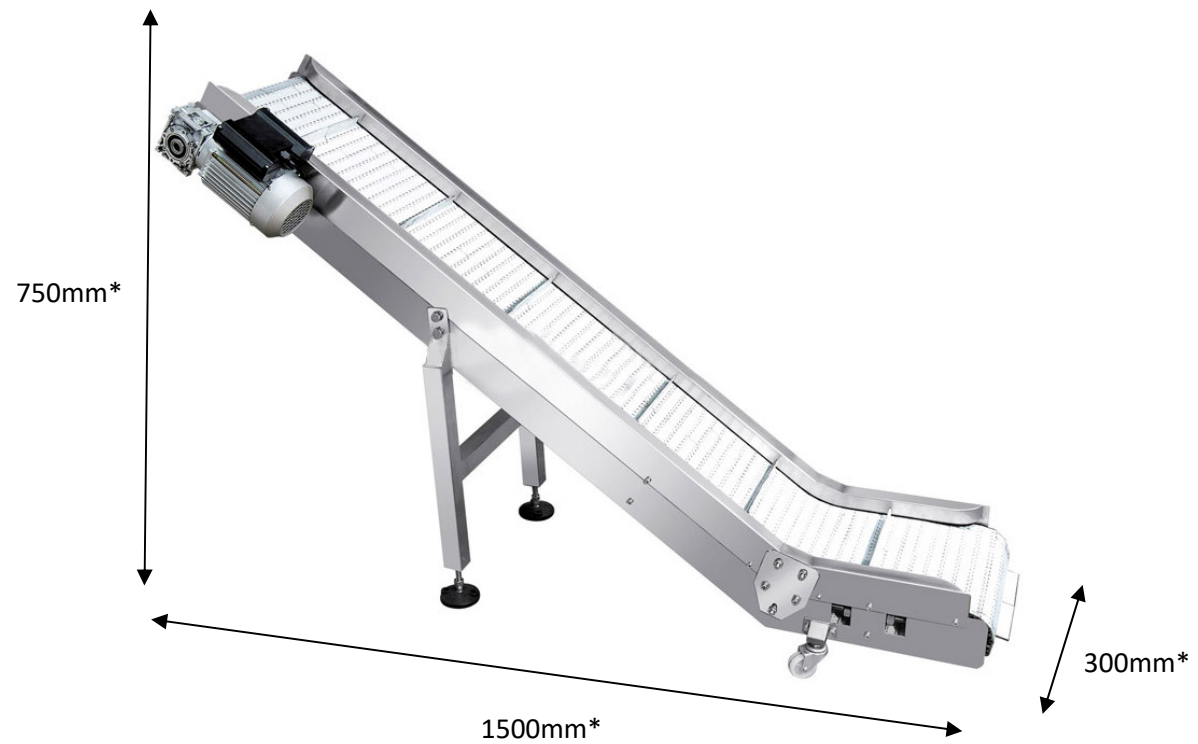
made to your requirements

**Weight**

60kg

**Power**

0.05kw



\*Standard size. Also available in any size.